

## **BIOZONE SCIENTIFIC MINI POWERZONE INSTRUCTION MANUAL**



### **CAUTION: READ INSTRUCTIONS BEFORE OPERATION**

BioZone Scientific Mini PowerZone is an excellent tool designed to significantly reduce odours, bacteria and other harmful micro-organisms in the air and on surfaces.

Can be portable or fixed mounted and designed for use in unoccupied or limited occupied areas such as refuse/ garbage, grease traps areas etc.

For smaller or less contaminated areas precautions must be adhered to eliminating exposure to residual by-product of ozone by setting the Mini PowerZone timer, starting the unit and leave the space to be treated, returning 10-20 after the treatment time has ended. · Access to the treatment area should be restricted while treatment is in process.

For best results

- Ensure that the intake and the outlet airflow of the Mini PowerZone are not blocked or impeded.
- Place the Mini PowerZone near a fan or incoming air vent to improve circulation of the purifying plasma, preferably as close as possible or above contaminated area.
- For highly contaminated environments the lamp, inlet and outlet plastic end grilles need be cleaned regularly. This will significantly lengthen the life of the lamp and ensure proper performance.

### **PRECAUTION!!**

**Only adequately trained and competent persons should be given the responsibility of operating and controlling the usage of this unit.**

When used correctly and under normal operating conditions, the ozone levels should not cause any problems.

#### **Potential risks from experiencing excessive ozone exposure are**

- **Decreased lung function resulting in chest tightness and shortness of breath**
  - Throat irritation and or cough
  - Headache

**If excess exposure occurs (switch off the unit) , seek medical advice**

## OPERATION

The Mini PowerZone II unit is supplied with a timer. The timer allows the user to set the treatment time, start the treatment, and return after the area has been treated.

### **Setting the Mini PowerZone Timer**

*Plug unit into a 10amp power point*

**Fig:1**



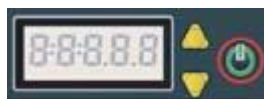
Press the Up Arrow (Fig: 1) once to increase time by 10 minute steps. Press and hold the Up Arrow to rapidly increase the time. Press and hold the Up Arrow until the display shows: "C: \_: \_ \_" to operate the unit continuously.

**Fig:2**



Press and hold the Down Arrow (Fig: 2) to rapidly decrease time. Press and hold the Down Arrow until the display shows: "10.00.0" to set the minimum time of 10 minutes.

**Fig:3**



Start the Mini PowerZone timer and Mini PowerZone II operation by pressing the ON/OFF button (Fig: 3). Pause the MPZ timer and stop the Mini PowerZone II operation by pressing the ON/OFF button while the unit is running.

**Note:** *When the Mini PowerZone is plugged in, the timer remembers the previously used time setting.*

## MAINTENANCE

The grills/ air vents and fan must be kept free and clear from dust and dirt.

The only serviceable / changeable part is the lamp. If the device is located in a highly contaminated greased, dusty, humid or smoke filled area, it is recommended that the lamp and plastic end grilles be cleaned as required. This will significantly lengthen the life of the lamp.

**The lamps must be changed maximum 8000 hours**, or once a year if continuous operation

### **Hourly Lamp data available on display**

**Fig:4**



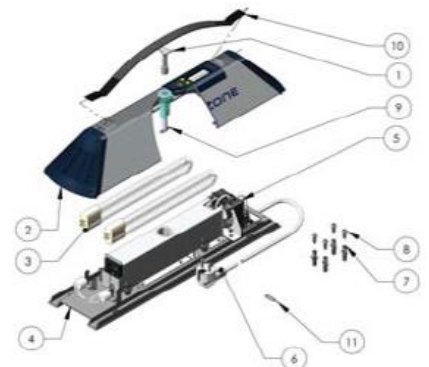
Press the up and down arrows (Fig:4) simultaneously for 5 seconds to show the number of hours of operation (dXXXX) and the number of on/off cycles (CXXXX).

Eg. (d 1245 , C 896) = 1245 hours of operation, 896 on/off cycles.

Please contact BioZone Scientific for replacement lamps. To reset these indicators, put the end of a paperclip into the small hole above the ON/OFF button for 3 seconds.

### **Lamp Cleaning and Replacement Procedure – See website [www.biozonescientific.com.au](http://www.biozonescientific.com.au) for detail**

- 1) Disconnect the power supply from the Mini PowerZone & Allow 10 minutes for the lamp(s) to cool.
- 2) Unlock and open the cover with the BioZone Key, (separate the cover from the base with the flat section of this key).
- 3) Unplug the lamp connector(s) from the lamp(s)
- 4) Remove the lamp(s) from the lamp holders.
- 5) Wipe and clean the lamp(s) surface with an alcohol wipe.
- 6) Place the cleaned lamp or new lamp into the lamp holders.
- 7) Connect the lamp connector observing the correct orientation of the pins
- 8) Re-install the cover and press firmly on the top near the lock to ensure it is completely closed. (Ensure that the lamp connector wires do not interfere with the cover closing)
- 9) Close and lock the Mini PowerZone with the BioZone Key.  
(Make sure the ring around the lock lights up when turned back on after installation)



## **WARRANTY - 12 Months Parts & Labour (Return to Base)**

*The provisions of this warranty are in lieu of any other written warranty, whether expressed or implied, written or oral, including any warranty of merchantability or fitness for a particular purpose. The manufacturer's maximum liability shall not exceed the actual purchase price paid by you for the product. In no event shall the manufacturer be liable for special, incidental, consequential or indirect damages. This warranty does not cover a defect that resulted from improper or unreasonable use or maintenance, accident, improper packing, or unauthorised tampering, alteration or modification as determined solely by us. This warranty is void if label bearing the serial number has been removed or defaced.*